

It makes beautiful Rice Sheet for Roll Sushi Fast and Consistently !

Just press operation button,
then it will spread sushi rice
for your rolls. 6 different sizes
can be memorized.

Supporting 7 Languages

LCD operation touch panel can be displayed in either
English, French, German, Spanish, Korean,
Chinese, and Japanese by user selection on panel.



Small Roll Sheet

Medium Roll Sheet

Large Roll Sheet

Rice sheet Making Machine SVR-NYA



Rice sheet Making Machine **SVR-NYA**

Features

- **Time Saving**
It spreads sushi rice in a couple of second.
You can save much time.
- **Quality**
It spreads sushi rice without smashing rice grains. You can get consistent quality no mater who operation it.
- **Flexibility**
Length, thickness, even density of rice sheet can be adjusted. Six (6) different sizes can be memorized.
- **Easy to clean**
It is designed for simple and easy cleaning.

Specifications

Model

SVR-NYA-CE (Applied to CE Regulation)
SVR-NYA-ET (Applied to ETL/cETL)

Input

AC100 - 240V, 50/60 Hz, Single phase

Power consumption

70W

Capacity

Small roll: 950 sheets / hr (at rice 80 mm long)
Medium roll : 850 sheets / hr (at rice 120mm long)
Large roll : 750 sheets / hr (at rice 180mm long)

*Production capacity varies by operator's working speed.

Hopper capacity

MAX 7.5kg of cooked rice

Machine dimensions (in mm)

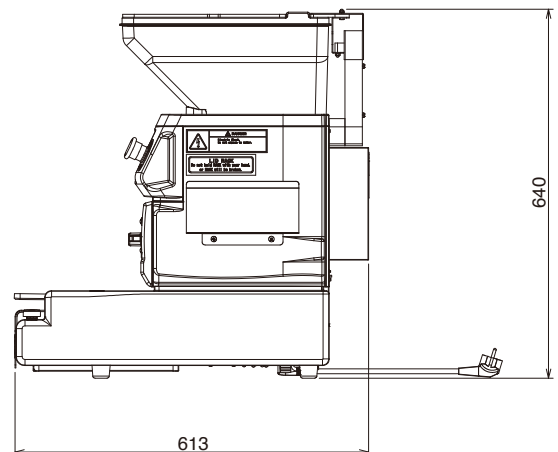
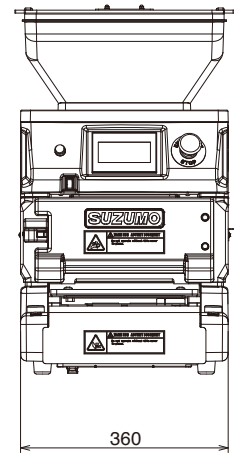
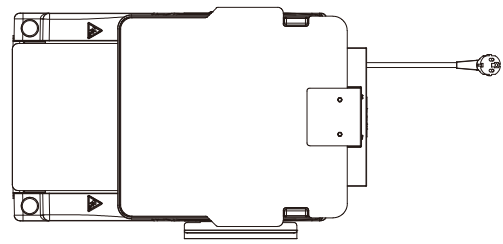
Width: 360mm
Depth: 613mm
Height: 640mm

Weight

37.5kg

Dimensions

(SVR-NYA-CE)



*Designs and specifications are subject to change without notice.



Suzumo Machinery Co., Ltd.

Overseas Business Division
2-23-2, Toyotamakita, Nerima-ku,
Tokyo 176-0012, Japan
Tel. +81 3-3993-1407 Fax. +81 3-3993-1756
e-mail overseas@suzumo.co.jp
URL <http://www.suzumokikou.com>

< Contact in North America >

Suzumo International Corporation

1815 W. 205th Street, Suite 101
Torrance, CA 90501, U.S.A.
Tel. +1 310-328-0400
Fax. +1 310-328-2700
e-mail sic@suzumokikou.com