

# Simple Operation and Professional Cutting Quality.

More Capacity & More Safety.



## Automatic Roll Sushi Cutter SVC-ATC



- Easy setting & cleaning.
- Easy cutting blade replacement
- Safety sensor for Front Cover
- Maximum 60mm diameter roll cut



Standard cutting unit are either 180mm-6pieces or 180mm-8pieces.



4 hosomaki (small roll) can be set on cutting table : 2,200 rolls / hr



2 medium size rolls : 1,100 rolls / hr



1 large size rice outside roll : 550 rolls / hr

# Automatic Roll Sushi Cutter SVC-ATC

## Features

- Designed for safe operation and easy cleaning.
- Cutting unit can be designed as custom order basis. Standard cutting unit is either 180mm-6 pieces or 180mm-8 pieces.
- Wider cutting table can be set 3pieces of small rolls (*Hosomaki*) and cut at one time.
- Compact and lightweight design enables you to carry the machine wherever you wish.

## Specifications

### Model

SVC-ATC-CE (Applied to CE Regulation)

SVC-ATC-ET (Applied to ETL/cETL)

### Input

AC100-240V, 50/60 Hz, Single phase

### Power consumption

140W

### Power connection cable

2m (6.56feet)

Plug can be selectable among CE, BF, and UL type

### Capacity

Small roll (25mm □):

Approx 2,200 rolls / hr (4 rolls at one time)

Medium roll (35mm□):

Approx 1,100 rolls / hr (2 rolls at one time)

Large roll (45-60mm□):

Approx 550 rolls / hr (1 roll at one time)

### Machine dimensions (in mm)

Width: 380mm

Depth: 320mm

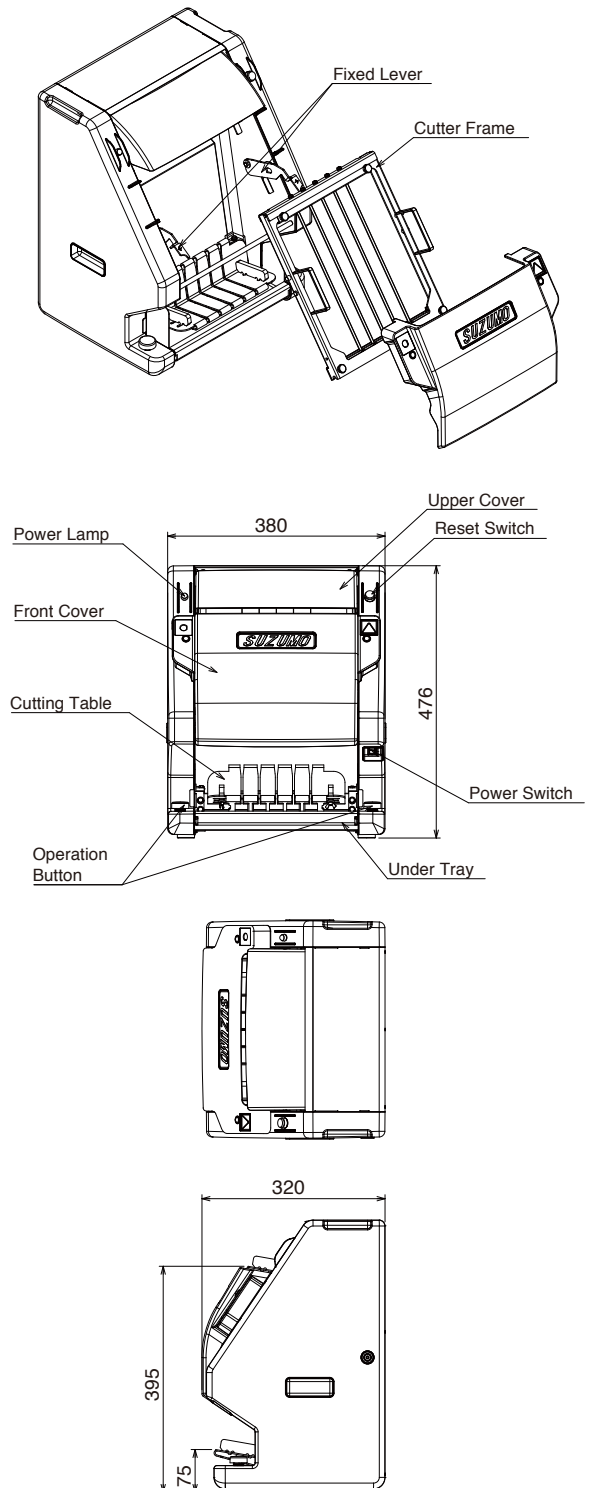
Height: 476mm

### Weight

Approx. 17Kg (include cutting table & flame)

## Dimensions

(SVR-ATC-CE)



\*Designs and specifications are subject to change without notice.



Suzumo Machinery Co., Ltd.

Overseas Business Division

2-23-2, Toyotamakita, Nerima-ku,

Tokyo 176-0012, Japan

Tel. +81 3-3993-1407 Fax. +81 3-3993-1756

e-mail overseas@suzumo.co.jp

URL <http://www.suzumokikou.com>

< Contact in North America >

Suzumo International Corporation

1815 W. 205th Street, Suite 101

Torrance, CA 90501, U.S.A.

Tel. +1 310-328-0400

Fax. +1 310-328-2700

e-mail sic@suzumokikou.com