

ENGLISH



New Compact Sushi Machine

SSF-CXA

Entry Model for Nigiri Sushi making machine with keeping the high quality and productivity.



SSF-CXA-CE



SSF-CXA-ET



Intertek

Intertek

***Simple design and minimum parts number for easy operation and maintenance.**

***Traditional and perfect nigiri sushi shape by 2-steps rice gripping and forming mechanism.**

***The weight and hardness of nigiri sushi can be adjustable.**



New Compact Sushi Machine **SSF-CXA**

Features

- Simple operation by switching panel for "Start/Stop" operation, adjustment of sushi weight, and counter reset.
- Compact in design, and easy work to replenish a rice hopper with Shari (Rice).
- Reduction of the number of cleaning parts for easy daily work. Simple structure leads to sanitation, cleanness, easy assembling and disassembling.

Specification

Model

SSF-CXA

SSF-CXA-CE (Comformity model of CE regulation)

SSF-CXA-ET (Approved by ETL for USA, Canada regulation)

Input

AC110-120V, 50/60Hz Single phase (SSF-CXA-ET)

AC200-240V, 50/60Hz Single phase (SSF-CXA, SSF-CXA-CE)

Power Consumption

Max. 150W

Power Connection Cable

Length: 2m Plug: US Type, BF Type, CEE Type (selectable)

Capacity

2,000 pieces per hour

Sushi Size

Length 52x22(mm), 12 ~ 18g weight (with table unit: CXA-S10)

Length 55x24(mm), 18 ~ 20g weight (with table unit: CXA-A10)

Hopper Capacity

10 Little (approx. 6Kg) of cooked rice

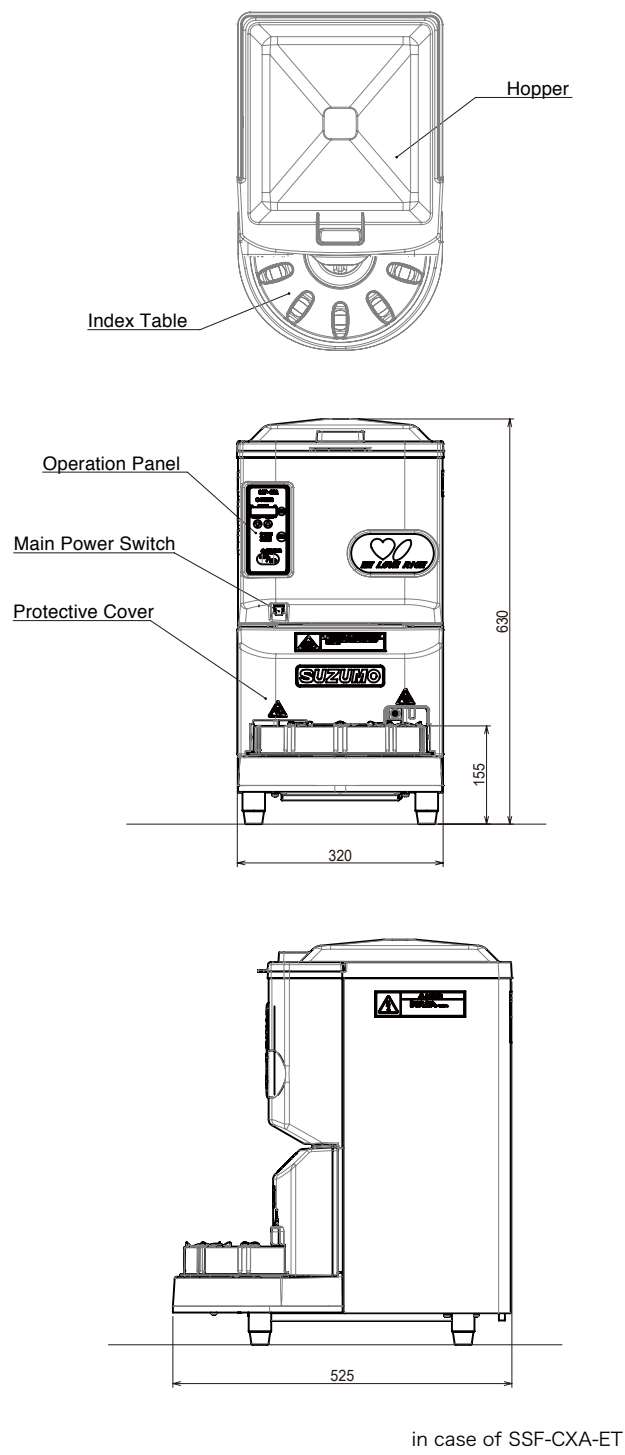
Machine Dimensions

320W x 520D x 630H (mm)

Machine Weight

35Kg

Dimensions



*Designs and specifications subject to change without notice.

*Please follow the instruction in the operation manual when handling the machine.

*While capacity expresses the machine's performance capabilities, it is predicated upon the machine being operated correctly.



Suzumo Machinery Co., Ltd.

Overseas Business Division

2-23-2, Toyotamakita, Nerima-ku,

Tokyo 176-0012, Japan

Tel. +81 3-3993-1407 Fax. +81 3-3993-1756

e-mail overseas@suzumo.co.jp

URL <http://www.suzumokikou.com>

< Contact in North America >

Suzumo International Corporation

1815 W. 205th Street, Suite 101

Torrance, CA 90501, U.S.A.

Tel. +1 310-328-0400

Fax. +1 310-328-2700

e-mail sic@suzumokikou.com